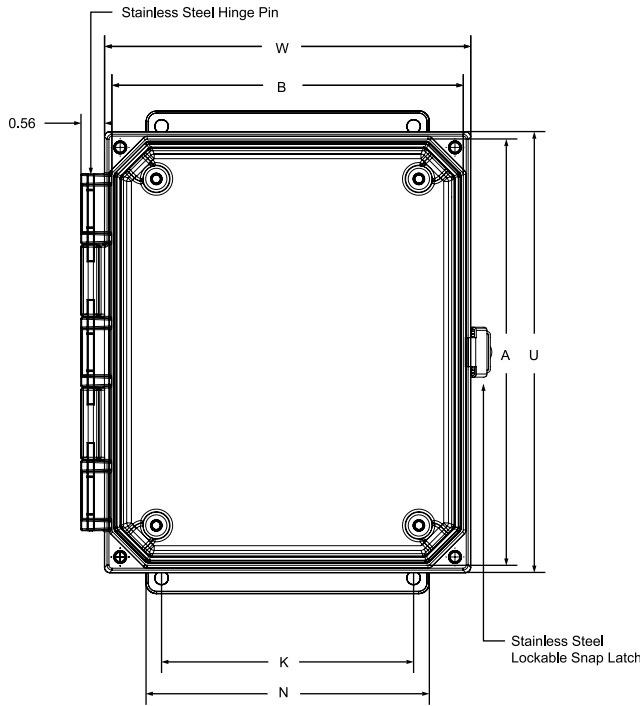
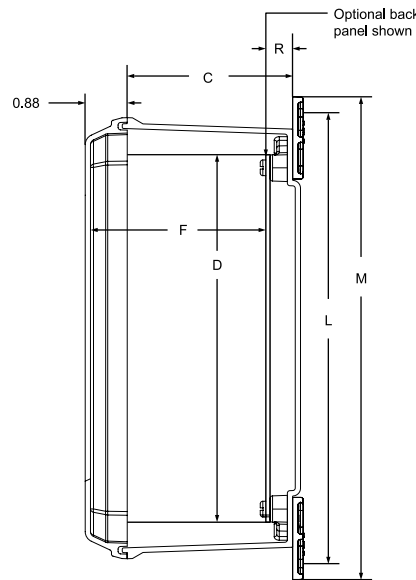


# Polyester Modular Enclosures - NEMA 4X

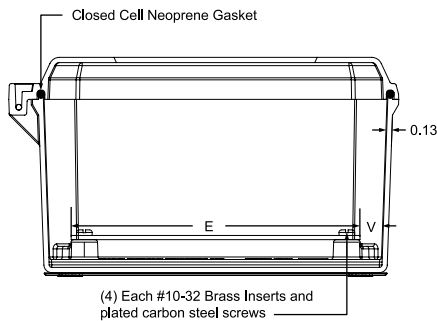
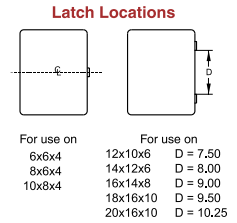
## PJU Series - Snap Latch, Hinged Cover, Window Door



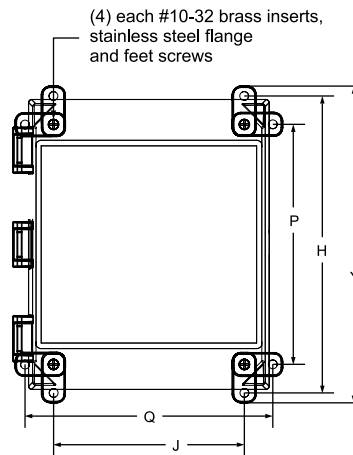
**Top View**



**Side View**



**Front View**



**Rear View**

Hinged Snap Latch Clear Cover Flange Part No.	Hinged Snap Latch Clear Cover Feet Part No.	N	H	J	P	Q	U	W	Y	R	V	Panel Part No.	Shipping Weight (lbs)
PJU664CCLF <sup>3</sup>	PJU664CCL <sup>3</sup>	4.80	6.75	4.91	4.69	6.97	6.50	6.72	7.47	0.70	0.52	14R0505	4
PJU864CCLF <sup>3</sup>	PJU864CCL <sup>3</sup>	4.75	8.75	4.91	6.69	6.97	8.50	6.72	9.46	0.70	0.62	14R0705	4
PJU1084CCLF <sup>1</sup>	PJU1084CCL <sup>1</sup>	6.75	10.75	6.91	8.69	8.97	10.50	8.72	11.47	0.70	0.53	14R0907	6
PJU12106CCLF <sup>1</sup>	PJU12106CCL <sup>1</sup>	8.75	12.70	8.82	10.64	10.88	12.50	10.72	13.47	0.68	0.44	14R0907	6
PJU14126CCLF <sup>2</sup>	PJU14126CCL <sup>2</sup>	10.75	14.70	10.82	12.64	12.88	14.50	12.72	15.37	0.70	0.46	14R1109	8
PJU16148CCLF <sup>3</sup>	PJU16148CCL <sup>3</sup>	12.75	16.91	11.47	13.50	14.88	16.50	14.72	17.50	0.70	0.40	14R1311	11
N/A	N/A	12.75	19.16	13.72	15.75	17.13	18.75	16.97	19.89	0.70	0.45	14R1513	12
N/A	N/A	12.75	20.53	13.16	17.13	16.56	20.50	16.72	21.28	0.70	0.50	P1868	17

1 Available 4th Qtr 2006

2 Available 1st Qtr 2007

3 Available 2nd Qtr 2007

4 Available 3rd Qtr 2007

For aluminum and fiberglass panels...see page 130.

Technical references and DXF downloads available at www.hammfg.com

All dimensions in inches unless specified otherwise

**Quality Enclosures. Service Excellence.**